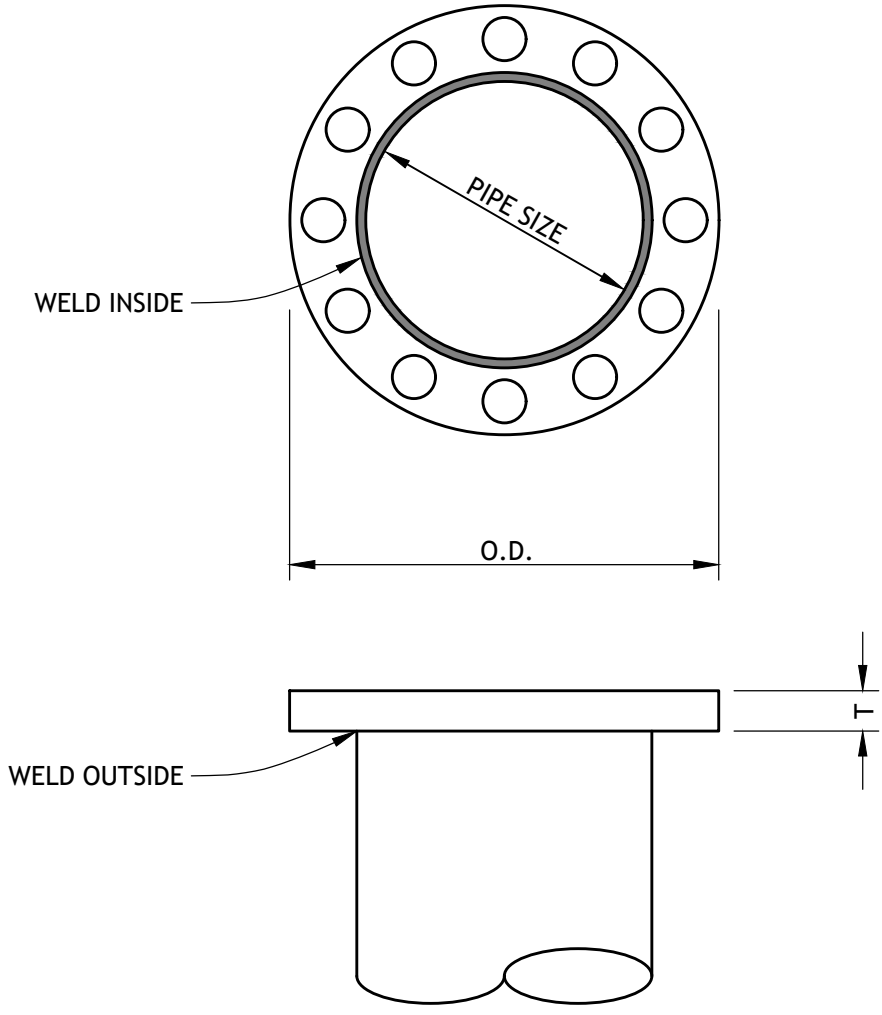


REV: 3/30/2022 J.WOLF
 M: ENGINEERING - SECURED STANDARDS\DWG\2022 UPDATE\WATER\W-113 BOLT AND FLANGE TABLE_2022.DWG



CLASS 150 BOLT AND FLANGE TABLE						
NOMINAL PIPE SIZE INCH	FLANGE O.D.	DIA. BOLT CIRCLE	FLANGE THICKNESS	BOLT HOLE DIAMETER	NUMBER OF BOLTS	BOLT DIA. AND LENGTHS
4	9	7.5	.94	.75	8	5/8 x 3
6	11	9.5	1.00	.875	8	3/4 x 3-1/2
8	13.5	11.75	1.12	.875	8	3/4 x 3-1/2
10	16	14.25	1.19	1.00	12	7/8 x 4
12	19	17	1.25	1.00	12	7/8 x 4
14	21	18.75	1.38	1.125	12	1 x 4-1/2
16	23.5	21.25	1.44	1.125	16	1 x 4-1/2
18	25	22.75	1.56	1.25	16	1-1/8 x 5
20	27.5	25	1.69	1.25	20	1-1/8 x 5
24	32	29.5	1.88	1.375	20	1-1/4 x 5-1/2
30	38.75	36	2.12	1.375	28	1-1/4 x 6-1/2

CLASS 150 - BOLT AND FLANGE TABLE



EAST VALLEY WATER DISTRICT, ENGINEERING DEPARTMENT

APPROVED BY:

Jeff Noelte
 JEFF NOELTE, P.E. 67924
 DIRECTOR OF ENGINEERING & OPERATIONS

APRIL 2022
 REVISION

EVWD
 STD. DWG.
 W-113

SHEET 1 OF 1