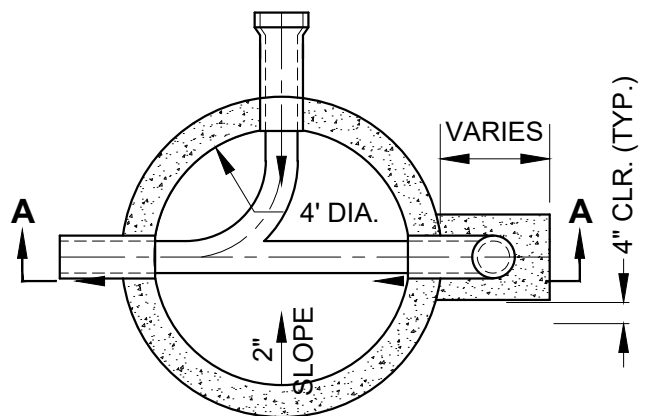


SECTION A-A

NOTES:

1. See EVWD Std. Dwg's. S-104 and S-106 for Construction of Manhole
2. All drop manhole fittings shall be of the same material as the sewer main and shall be of solid wall construction.



PLAN

SEWER DROP MANHOLE

M:\Engineering - Secured\Standards\DWG\2022 Update\Sewer



EAST VALLEY WATER DISTRICT, ENGINEERING DEPARTMENT
 APPROVED BY:

Jeff Noelte
 JEFF NOELTE, P.E. 67924
 DIRECTOR of ENGINEERING and OPERATIONS

APRIL 2022
 REVISION

EVWD
 STD. DWG.
 S-105
 SHEET 1 OF 1