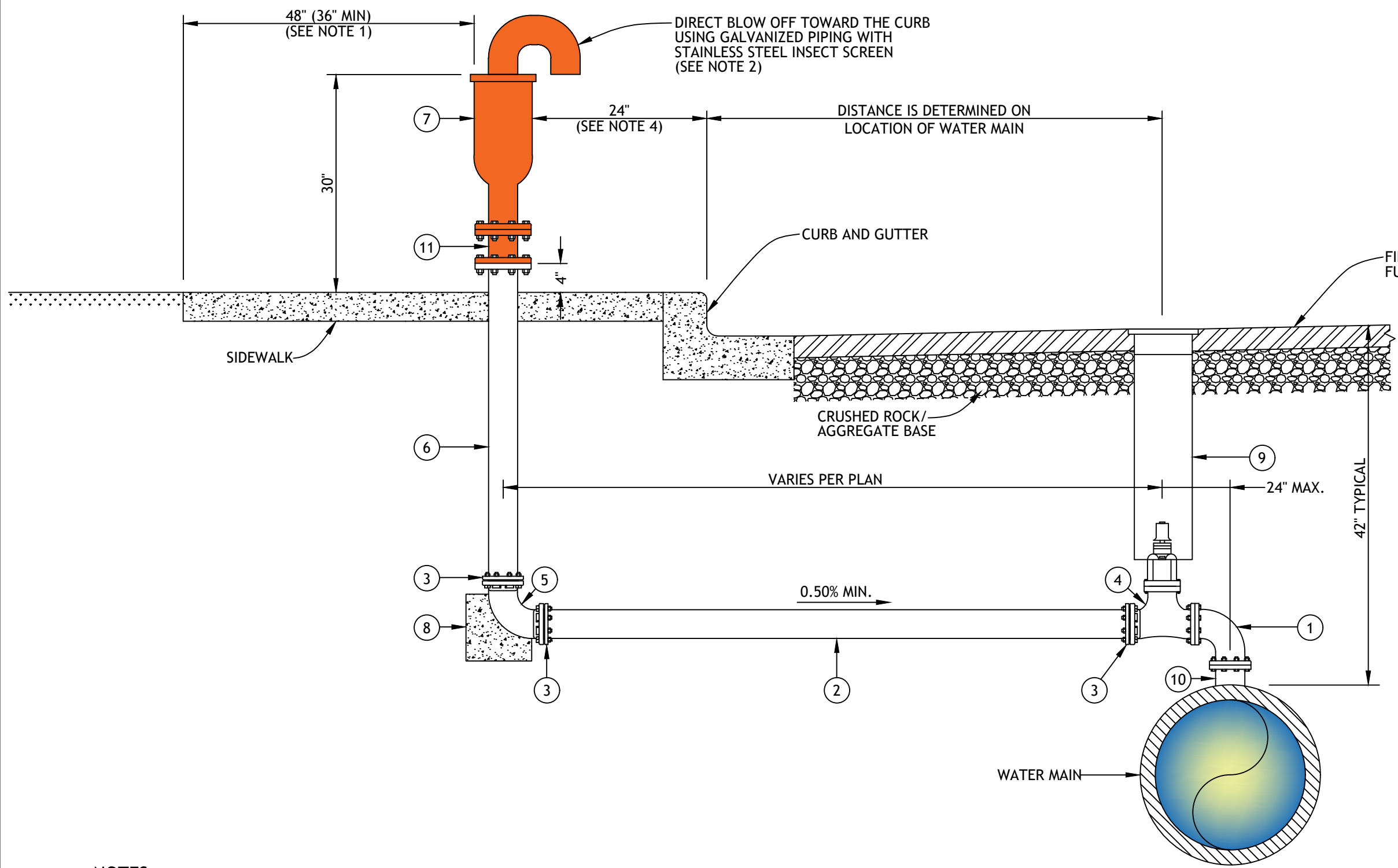



REV: 6/13/2022 J.WOLF  
 M:\ENGINEERING - SECURED\STANDARDS\DWG\2022 UPDATE\WATER\W-105C 4 IN COMB AIR VAC VALVE\_20220613.DWG



- ITEM MATERIALS:**
- ① 90° BEND, FLG., D.I.P.
  - ② DUCTILE IRON PIPE (D.I.P.)
  - ③ MEGALUG RESTRAINT
  - ④ GATE VALVE, FLG. x M.J.
  - ⑤ 90° BEND, M.J., D.I.P.
  - ⑥ DUCTILE IRON PIPE, FLG. x P.E.
  - ⑦ AV/AR DEVICE
  - ⑧ THRUST BLOCK, PER EVWD STD. DWG. W-108 (OPTIONAL IF USING PIPE RESTRAINING JOINTS)
  - ⑨ ADJUSTABLE VALVE CAN, EXTENSION AND LID, PER EVWD STD. DWG. W-119
  - ⑩ MAIN CONNECTION
  - ⑪ FLANGED BREAKAWAY EXTENSION SPOOL, MORTAR LINED AND PAINTED TO MATCH AIR-VAC (INCLUDE HOLLOW BREAKAWAY BOLTS)

**NOTES:**

1. IF FOUR (4) FEET IS NOT POSSIBLE, PLACE AIR-VAC BEHIND SIDEWALK IN PARKWAY.
2. SIZE OF PIPING AND APPURTENANCES SHALL MATCH AV/AR VALVE. SEE PLANS FOR SIZE.
3. THE EXTERIOR OF THE AIR-VAC AND APPURTENANCES SHALL BE THOROUGHLY CLEANED OF ALL FOREIGN MATTER FROM THE FLANGED BREAKAWAY SPOOL TO THE UPPER MOST PART OF THE ASSEMBLY. THEN PAINTED WITH TWO (2) COATS OF "SAFETY ORANGE" PRIMER/ENAMEL PAINT.
4. WHERE NO CURB EXISTS OR AIR-VAC IS INSTALLED IN DIRT, CONTRACTOR SHALL PROVIDE ADEQUATE DRAINAGE FOR AIR-VAC. IF ADEQUATE SURFACE DRAINAGE IS NOT PRACTICAL, USE OF TWO (2) CUBIC FOOT GRAVEL FILLED SEEPAGE PIT TO AVOID POSSIBLE DAMAGE CAUSED BY SURFACE WATER RUNOFF. TWO (2) BOLLARDS PER EVWD STD. DWG. W-111. THE LOCATION OF THE AIR-VAC AND BOLLARDS SHALL BE DIRECTED BY THE DISTRICT.
5. THIS DETAIL TO BE USED FOR WATER MAINS OF A DIAMETER GREATER THAN OR EQUAL TO 20 INCHES.

<b>4" COMBINATION AIR &amp; VACUUM ASSEMBLY</b>		
 <p>EAST VALLEY WATER DISTRICT</p>	<p>EAST VALLEY WATER DISTRICT, ENGINEERING DEPARTMENT</p> <p>APPROVED BY:</p> <p><i>Jeff Noelte</i></p> <p>JEFF NOELTE, P.E. 67924          DIRECTOR OF ENGINEERING &amp; OPERATIONS</p>	<p>EVWD          STD. DWG.  <b>W-105C</b></p>
<p>JUNE 2022          REVISION</p>		<p>SHEET 1 OF 1</p>