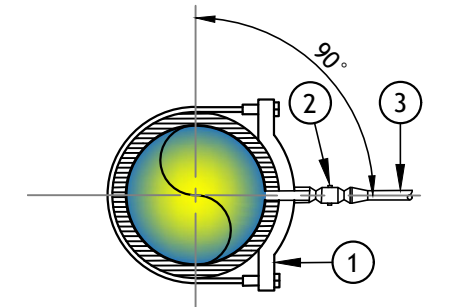
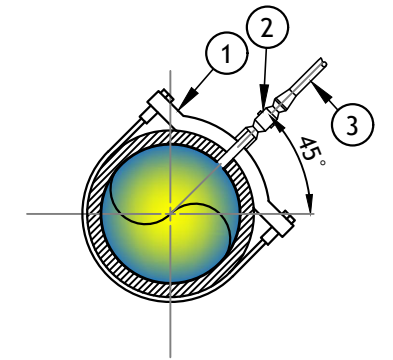
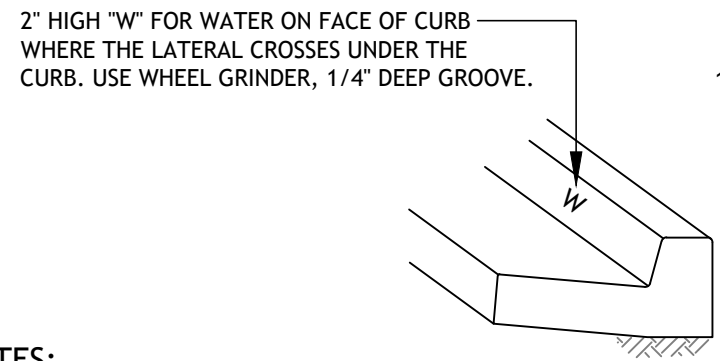
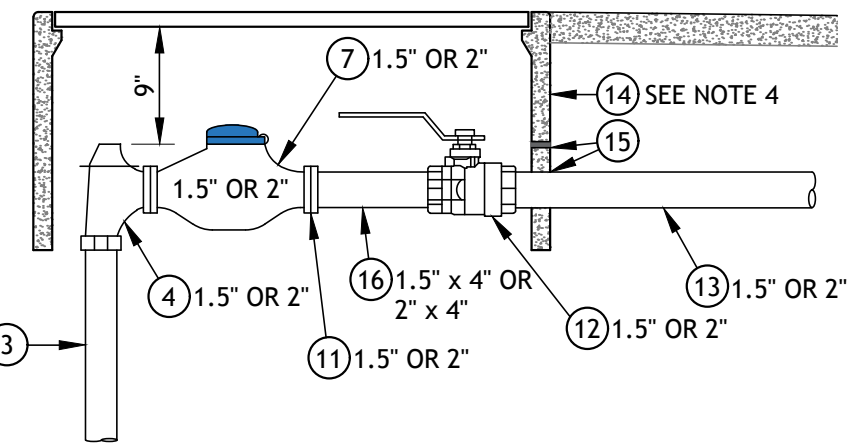
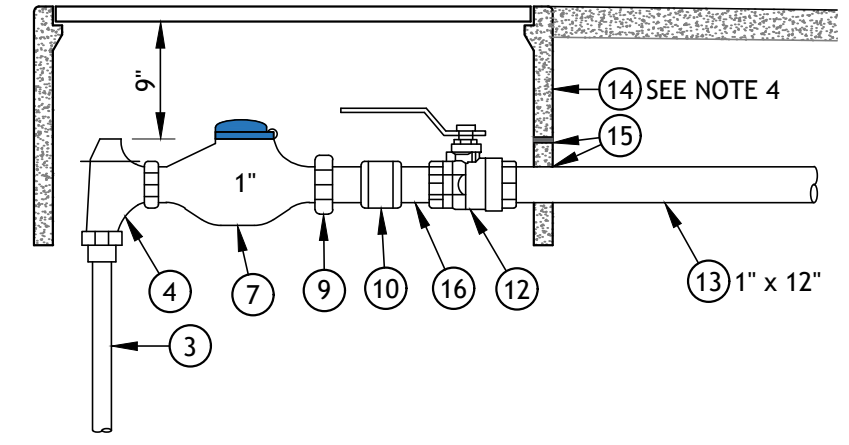
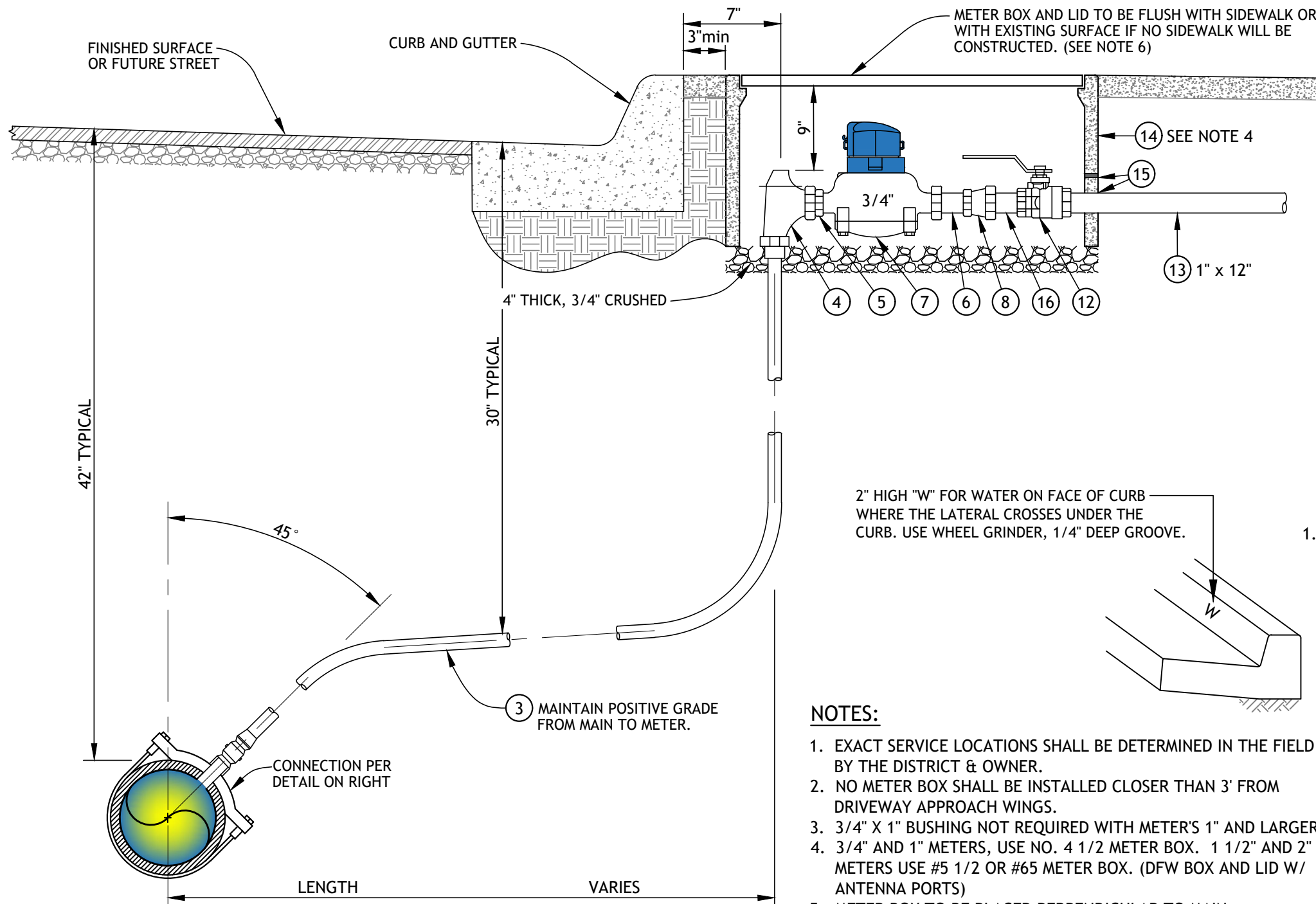


REV: 3/29/2022 - J. WOLF  
 M. ENGINEERING - SECURED STANDARDS.DWG. 2022 UPDATE WATER W-101C WATER SERVICE INSTALLATION FOR DIPPED & WRAPPED PIPE\_2022.DWG



**ITEM MATERIALS:**

- |  |   |
|--|---|
| ① DOUBLE STRAP MALLEABLE SERVICE SADDLE (DIA. OF WATER MAIN X 1" MINIMUM)      | ⑧ 3/4" x 1" BELL, BRASS                                     |
| ② CORPORATION STOP (I.P.T.) TO COPPER 1" MINIMUM                               | ⑨ 1" x 2-5/8" METER COUPLING                                |
| ③ SERVICE TUBING TYPE "K" SOFT COPPER (SEE NOTES 7 - 9 FOR INSTALLATION SIZES) | ⑩ 1" COUPLING, BRASS  |
| ④ ANGLE METER STOP (CURB STOP), 1" MINIMUM                                     | ⑪ METER FLANGE, 1.5" OR 2"                                  |
| ⑤ 1" x 1- 1/4" METER BUSHING   | ⑫ BALL VALVE, 1" MINIMUM, BRASS (CUSTOMER PRIVATE SHUTOFF)  |
| ⑥ 3/4" x 2-1/2" METER COUPLING   | ⑬ NIPPLE, BRASS (TAILPIPE)                                  |
| ⑦ WATER METER (DISTRICT WILL SET METERS ONCE ALL FEES ARE PAID)                | ⑭ METER BOX & LID, POLY                                     |
|  | ⑮ LEAVE MINIMUM 1" CLEARANCE BETWEEN TOP OF PIPE AND CUTOUT |
|  | ⑯ 1" x 4" NIPPLE, BRASS                                     |

**NOTES:**

- EXACT SERVICE LOCATIONS SHALL BE DETERMINED IN THE FIELD BY THE DISTRICT & OWNER.
- NO METER BOX SHALL BE INSTALLED CLOSER THAN 3' FROM DRIVEWAY APPROACH WINGS.
- 3/4" X 1" BUSHING NOT REQUIRED WITH METER'S 1" AND LARGER.
- 3/4" AND 1" METERS, USE NO. 4 1/2 METER BOX. 1 1/2" AND 2" METERS USE #5 1/2 OR #65 METER BOX. (DFW BOX AND LID W/ ANTENNA PORTS)
- METER BOX TO BE PLACED PERPENDICULAR TO MAIN.
- IF METER BOX IS PLACED IN HIGH TRAFFIC AREA, THE METER LID SHOULD BE TRAFFIC RATED.
- 1" SERVICE SADDLE, CORP. STOP AND SERVICE LINE WILL BE USED FOR ALL 3/4" AND 1" METER INSTALLATIONS.
- 1.5" SERVICE SADDLE, CORP. STOP AND SERVICE LINE WILL BE USED FOR ALL 1.5" METER INSTALLATIONS.
- 2" SERVICE SADDLE, CORP. STOP AND SERVICE LINE WILL BE USED FOR ALL 2" METER INSTALLATIONS.

3/4" & 1" CONNECTION DETAIL  
SEE NOTE 7

1.5" & 2" CONNECTION DETAIL  
SEE NOTE 8 AND 9

<b>WATER SERVICE INSTALLATION 3/4" THRU 2" (D. &amp; W. PIPE)</b>		
	EAST VALLEY WATER DISTRICT, ENGINEERING DEPARTMENT	
	APPROVED BY: <i>Jeff Noelte</i> JEFF NOELTE, P.E. 67924 DIRECTOR OF ENGINEERING & OPERATIONS	
	APRIL 2022 REVISION	EVWD STD. DWG. W-101C SHEET 1 OF 1