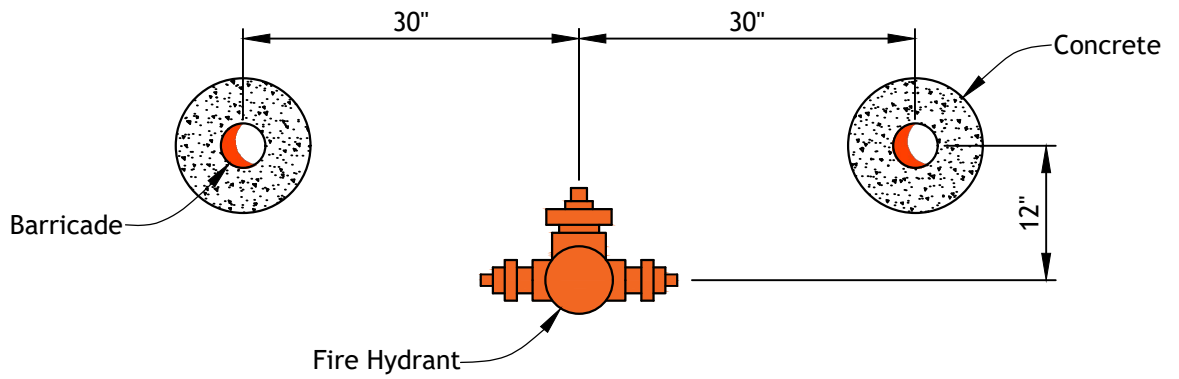
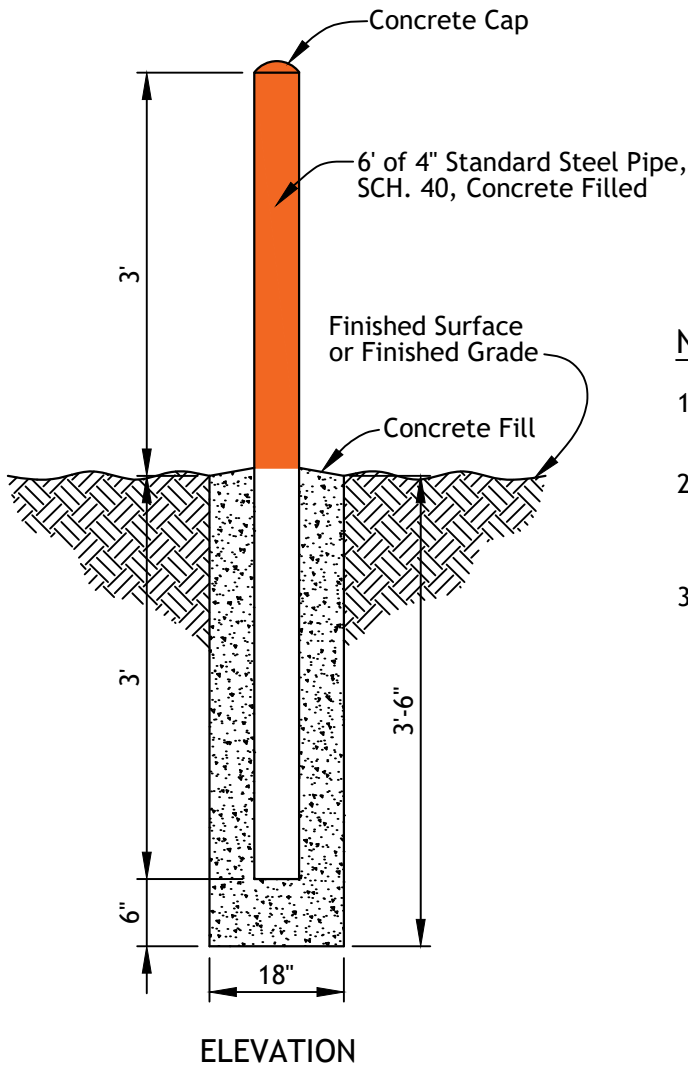


STREET
(NO CONCRETE CURB)



PLAN
FIRE HYDRANT BARRICADES
(TYPICAL)



NOTES:

1. See the plans for number of bollards or guard posts to be used.
2. The exact location of the bollards or guard posts may be changed by the District, in the field.
3. The steel pipe above ground shall be painted with two (2) coats of "Safety Orange" primer/enamel paint.

REV: 6/13/2022 J.WOLF
M: ENGINEERING - SECURED\STANDARDS\DWG\2022 UPDATE\WATER\W-111 PIPE BOLLARDS_20220613.DWG

GUARD POSTS OR BOLLARDS



EAST VALLEY WATER DISTRICT, ENGINEERING DEPARTMENT

APPROVED BY:

Jeff Noelte
JEFF NOELTE, P.E. 67924
DIRECTOR OF ENGINEERING & OPERATIONS

JUNE 2022
REVISION

EVWD
STD. DWG.
W-111

SHEET 1 OF 1