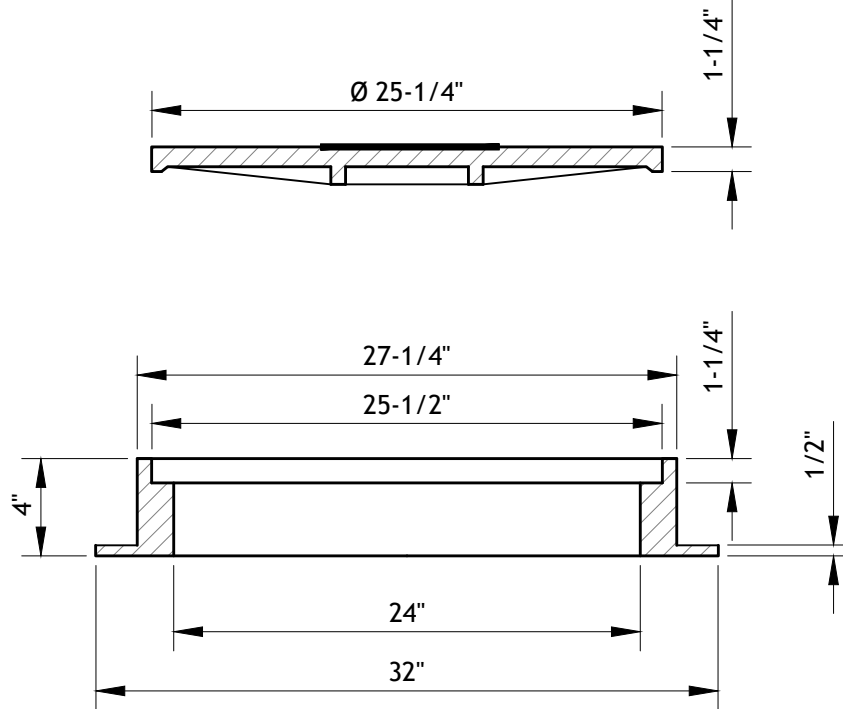


TOP VIEW OF COVER



SECTION A-A

NOTES:

1. Ring and cover to be machined as shown for a snug fit.
2. C.I. to have 30,000 p.s.i. tensile strength.
3. National Casting Corp NC-263 manhole frame and cover, or approved equal.

**MANHOLE FRAME AND COVER**

M:\Engineering - Secured\Standards\DWG\2024 Update\Sewer



EAST VALLEY WATER DISTRICT, ENGINEERING DEPARTMENT

APPROVED BY:

*Jeff Noelte*

JEFF NOELTE, R.C.E. 67924  
DIRECTOR of ENGINEERING & OPERATIONS

APRIL 2022  
REVISION

EVWD  
STD. DWG.  
S-106

SHEET 1 OF 1